



## Small and powerful - for medium sized tracking areas

ARTTRACK6/M is the next member of the ARTTRACK family. The ARTTRACK6/M convinces with its compact size, a high tracking performance with frame rates up to 500 Hz and low latency. Thanks to its slim body it can be installed inside constricted spaces and furthermore it offers a wide-angle field of view.

## Technical Data

General Camera Data	
Image sensor	1280 x 1024 Pixel
Frame rate (sensor)	180 Hz @ full frame, up to 500 Hz with reduced field of view
Image processing	Integrated
IR source	High power LEDs, 850 nm, adjustable in intensity (Exempt Group according to IEC62471-1)
Status indicator	2 LEDs; dimmable
Data transfer, sync and power supply	Single cable solution; Data & sync: Gigabit Ethernet Power: PoE (IEEE 802.3af-2003) via max. 100 m RJ45 cable (CAT5)
Operating conditions	
Cooling	Passive, fanless
Temperature	0...38° C
Relative humidity	5...85% (non-condensing)
Power consumption	6 W
Dimensions	
Size	Length 101 mm (over lens), Ø 30 mm
Weight	Approx. 110g

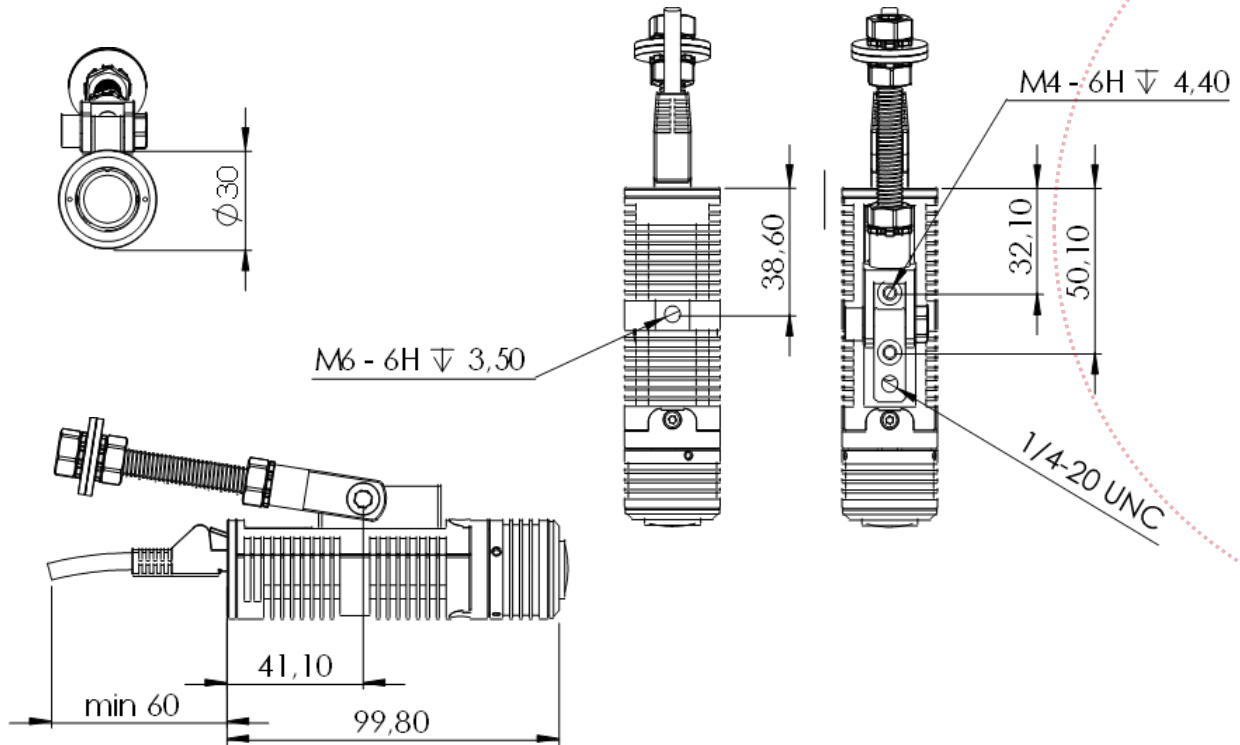
Available lenses and field of view					
Compatible lenses		Operation modes			
		@ 180 Hz	@ 240 Hz	@ 300 Hz	@ 500 Hz
	Sensor resolution (pixels)	1280 x 1024	1280 x 850	1280 x 650	800 x 600
2.86 mm	FoV (horiz. x vert.) [deg]	135° x 102°	135° x 82°	135° x 61°	77° x 56°
	Tracking range [m]*	5 m	4,5 m	3,5 m	3,5 m
3.50 mm	FoV (horiz. x vert.) [deg]	83° x 70°	83° x 61°	83° x 48°	63° x 46°
	Tracking range [m]*	5,2 m	4,7 m	3,9 m	3,9 m

\* based on 12 mm spherical passive markers

Certifications
<ul style="list-style-type: none"> <li>• CE</li> <li>• FCC Part 15 B, Class B</li> <li>• TÜV SÜD NRTL</li> </ul>

## Technical Drawing

all dimensions in [mm] unless otherwise specified



## Tracking area (full sensor)

all dimensions in [mm] unless otherwise specified

